

S-Series 322 Ice Cube Machine



SD-0322A Ice Machine
on B-320 Bin

- SANITATION**
We've made it simple to clean
- SAVINGS**
The perfect balance of power and efficiency
- SOUND**
Designed to run whisper-quiet
- SERVICEABILITY**
Easy access means less downtime

- Up to 340 lbs. (154 kgs.) daily ice production
- **CEE Tier 2 energy and water efficiency rating**
- Only 22" (55.88 cm) wide
- Removable water distribution tube with no tools
- Food zone designed with soft, round, cove corners
- Patented cleaning and sanitizing technology
- Select components made with AlphaSan® antimicrobial

- Hinged front door for easy access
- **Warranty**
5-year parts and 5-year labor coverage on ice machine evaporator
5-year parts and 3-year labor coverage on ice machine compressor
3-year parts-and-labor coverage on all other ice machine, dispenser, and storage bin components

CEE  Energy Efficiency Ratings Specified on Back

America's #1 Selling Ice Machine

Ice Cube & Flake Machines • Ice Storage Bins • Ice Dispensers


Manitowoc

Manitowoc S-Series 322

Model	Ice Shape	Ice Production 24 Hours				Power kWh/100 lbs. @ 90°/70°F	CEE* Rating	ENERGY STAR*
		70°Air/50°F Water		90°Air/70°F Water				
		lbs.	kgs.	lbs.	kgs.			
SY-0324A	half-dice	340	154	270	113	6.9	Tier 2	★
SY-0325W	half-dice	330	150	290	132	5.4	Tier 2	
SD-0322A	dice	340	154	270	113	6.9	Tier 2	★
SD-0323W	dice	330	150	290	132	5.4	Tier 2	
Water usage/100 lbs./45.4 kgs. of ice								
Potable Water: 18 gallons, 68 liters • Water-cooled Condenser: 160 gallons, 605.6 liters.								

Order ice storage bin separately. *A* or *W* following model number indicates *Air* or *Water* condensing unit.

★ **Consortium for Energy Efficiency (CEE)** is a North American nonprofit organization that promotes energy-efficient products, technologies and services; also the principal entity for the development of ice maker efficiency standards.

 Certified in Accordance with ARI Automatic Commercial Ice-Cube Machines (Batch-Type) Certification Program, which is based on ARI Standard 810

Ice Machine Electric

115/60/1 standard. (208-230/60/1 and 230/50/1 also available.)

Min. circuit ampacity: Air-cooled: 11.3 amps
Water-cooled: 10.5 amps

Max. fuse size: Air-cooled and Water-cooled: 15 amps
HACR-type circuit breakers can be used in place of fuses.

Specifications

BTU Per Hour:
3,800 (average) 6,000 (peak)

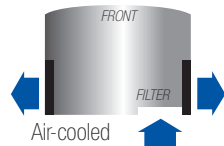
Compressor:
Nominal rating: 1/2 HP

Cupra-Nickel Condenser:
(Water-cooled models)
Adds protection from corrosive water elements.

Operating Limits:

- **Ambient Temperature Range:**
Air and water-cooled:
35° to 110°F (1.6° to 43.3°C)
- **Water Temperature Range:**
35° to 90°F (1.6° to 32.2°C)
- **Water Pressure Ice Maker Water In:**
Min. 20 psi (137.9 kPa)
Max. 80 psi (551.1 kPa)
- **Condenser Inlet Water In:**
(Water-cooled only)
Min. 20 psi (137.9 kPa)
Max. 150 psi (1,034.2 kPa)

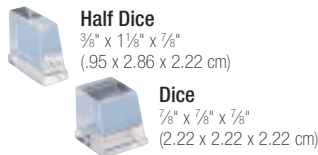
Air Flow Top View



AuCS@SO Accessory

Automatic Cleaning System purchased as an option and installed in the field.

2 Cube Sizes Available



24-HOUR PRODUCTION †								lbs. kgs.
AIR-COOLED UNIT				WATER-COOLED UNIT				
air temp	water temp			air temp	water temp			
°F	50°	70°	90°	°F	50°	70°	90°	
°C	10°	21°	32°	°C	10°	21°	32°	
70°	340	320	300	70°	330	310	280	
21°	154	145	136	21°	150	141	127	
80°	320	290	270	80°	320	300	280	
27°	145	132	122	27°	145	136	127	
90°	280	250	240	90°	310	290	270	
32°	127	113	108	32°	141	132	122	

† Production for dice and half dice cubes. Data is published for 60 Hz machines. 50 Hz machines produce approximately 7% less ice.

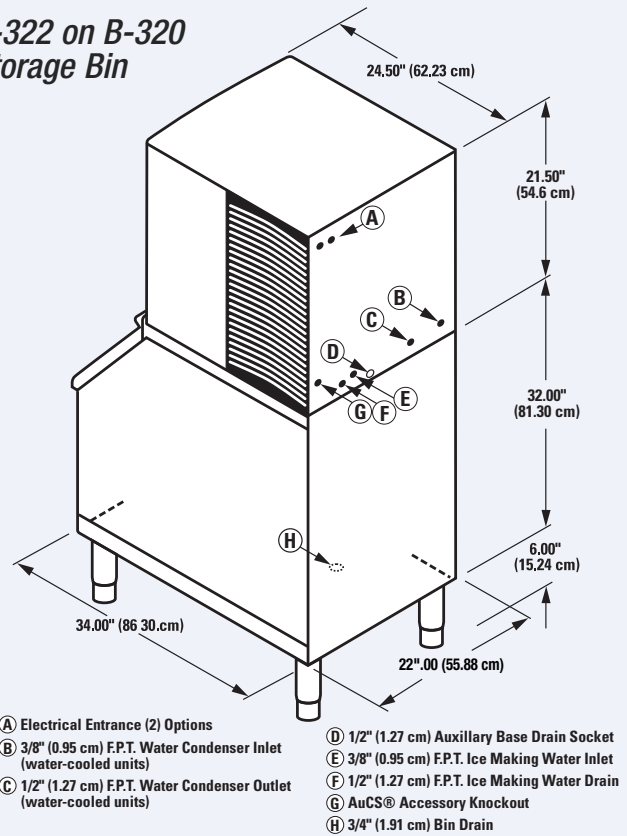
Space-Saving Designs



	S-322 B-320	S-322 B-420
Height	59.50" 151.13 cm	71.50" 194.31 cm
Width	22.00" 55.88 cm	22.00" 55.88 cm
Depth	34.00" 86.30 cm	34.00" 86.30 cm
Bin Storage	210 lbs. 95 kgs.	310 lbs. 141 kgs.

Height includes adjustable bin legs 6.00" to 7.00", (15.24 to 17.78 cm) set at 6.00" (15.24 cm). For comparison purposes multiply ARI capacity by 1.3 (30%) to arrive at approximate "Application Rating Capacity."

S-322 on B-320 Storage Bin



Installation Note -

Minimum installation clearance— Top/sides: 8" (20.32 cm); Back: is 5" (12.7 cm).



MANITOWOC ICE
2110 South 26th Street, P.O. Box 1720
Manitowoc, WI 54221-1720, USA
Ph: 920-682-0161 • Fax: 920-683-7589
Visit us online at www.manitowocice.com

