



# LX340H Slim LED with Commercial Grade Stand



## ▶ 55LX340H

55" class (54.64" diagonal)

## ▶ 49LX340H

49" class (48.5" diagonal)

## ▶ 43LX340H

43" class (42.5" diagonal)

## ▶ 40LX340H

40" class (39.5" diagonal)

## ▶ 32LX340H

32" class (31.6" diagonal)



## Introduction

The LG LX340H is a cost effective commercial grade television , designed to operate with an external Set Top Box while providing the guest a superior HD viewing experience with an energy efficient LED display.

## Specifications

Native Display Resolution 1920 x 1080 (FHD)

Dynamic Contrast Ratio 1,000,000:1

Viewing Angle 178° (55", 49", 43")  
176° (40", 32")

RS-232C Control and IR Pass through

External Speaker Out

USB Auto Playback

Commercial grade stand with swivel and lock-down base

Welcome Screen

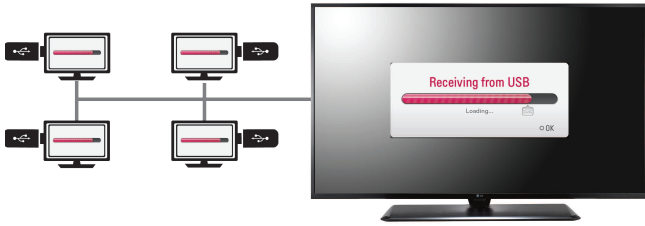
2-Year Limited Warranty Parts/Labor/Backlight

OPTIMIZED FEATURES FOR COMMERCIAL USE



USB CLONING

The USB Cloning feature allows you to simply copy the TV settings onto all TVs using a USB stick, a process that is fully automated to save time without having to set each TV one by one.



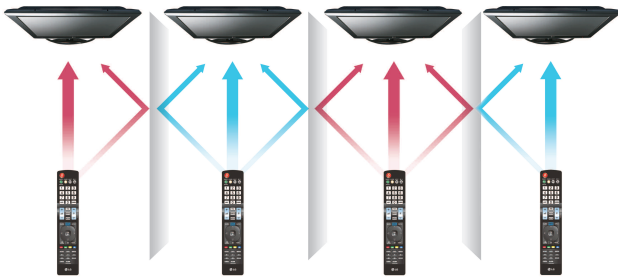
WELCOME SCREEN

Welcome guests with a warm greeting message that includes your hotel name and logo.



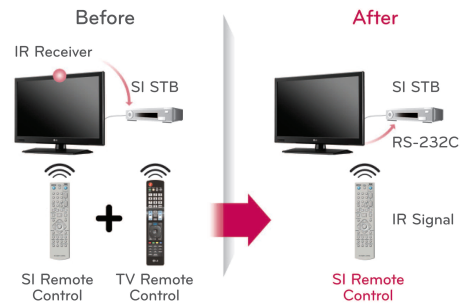
MULTI IR

When paired with a multi-IR remote control, the Multi IR function eliminates infrared signal interference between multiple TVs in the same rooms by mapping individual TVs to specific remote controls. Optional remote control model "HOSPSTRC02" required for this feature.



IR PASS THROUGH AND CONTROL FOR EXTERNAL SET TOP BOX

External Set Top Boxes (STB) can connect to the RS232 control port and receive IR signals via the TV and control the power on/off and volume from a single remote control.



FOR CONVENIENCE & ENTERTAINMENT



EXTERNAL SPEAKER OUT

Enhance the entertainment experience by adding an additional speaker, allowing TV audio to be heard from other locations such as the bathroom.

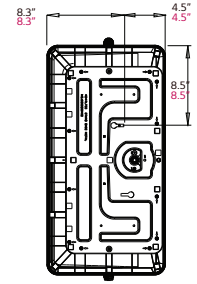
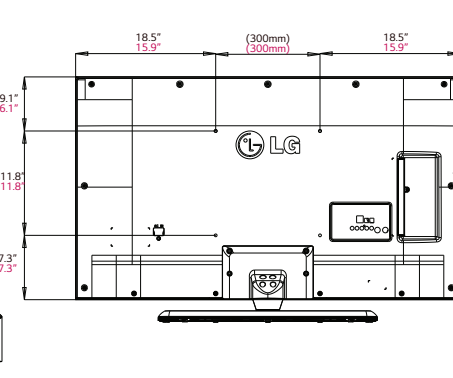
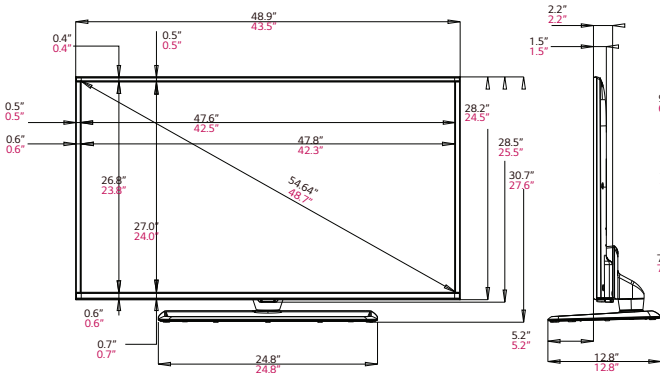


USB 2.0

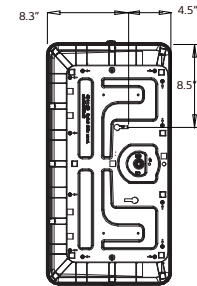
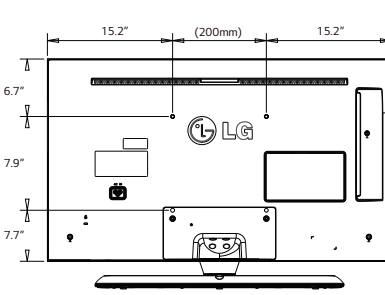
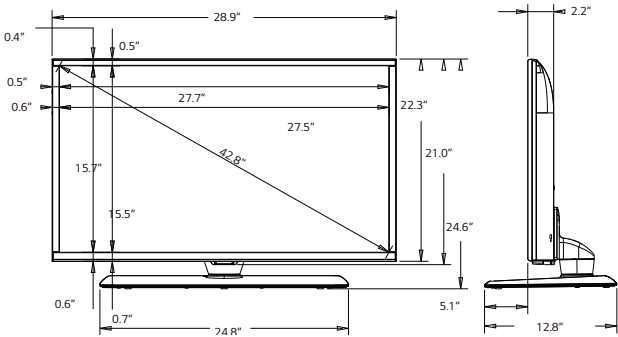
You can play images and videos from external storage devices.



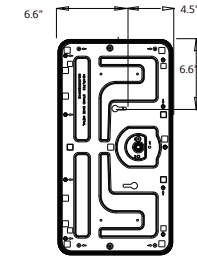
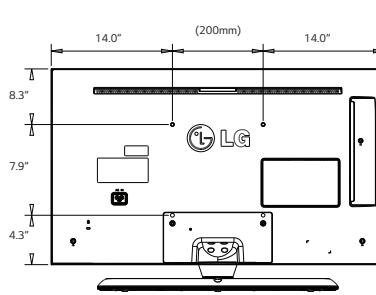
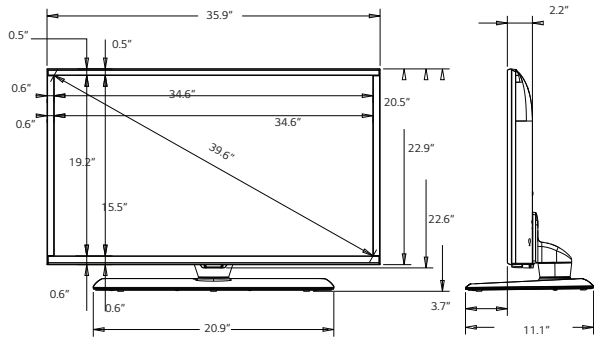
55LX340H | 49LX340H



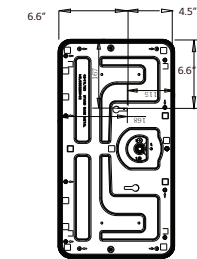
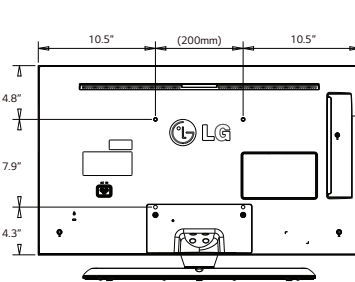
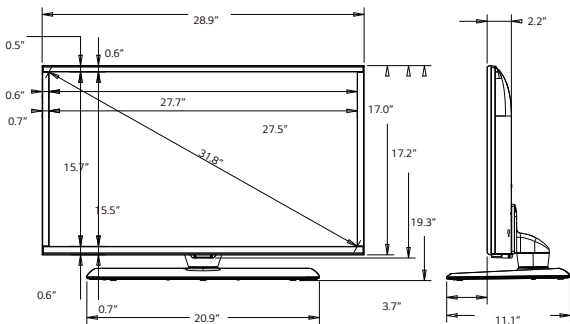
43LX340H



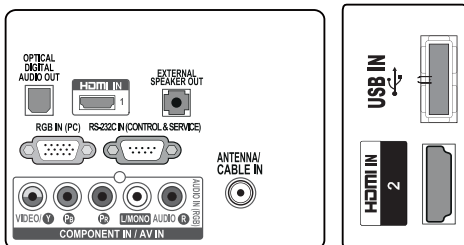
40LX340H



32LX340H



Rear Jack Panel



Anti-Theft System

The Anti-theft system provides security to prevent TVs theft. Consisting of a Kensington Lock, a Credenza and Lock Down Plate.

Kensington Lock

- LG Hotel TVs are protected by the reliable solution the Kensington Lock.

Reinforced Metal Stand

- Full metal reinforced stand to improve sturdiness, durability and safety
- Provides ( $\pm 20^\circ$ ) Swivel out of the box
- Provides ( $\pm 20/45/90^\circ$ ) Swivel when used with Lock Down plate.

Lock Down Plate with Credenza Hole

- Lock the TV firmly to the TV stand for added security and help deter theft. (Mounting plate, security bolts, nuts and screws are included)



# LX340H

## Slim LED with Commercial Grade Stand

- ▶ **55LX340H**  
55" class (54.64" diagonal)
- ▶ **49LX340H**  
49" class (48.5" diagonal)
- ▶ **43LX340H**  
43" class (42.5" diagonal)

- ▶ **40LX340H**  
40" class (39.5" diagonal)
- ▶ **32LX340H**  
32" class (31.6" diagonal)



PANEL	MODEL	55LX340H	49LX340H	43LX340H	40LX340H	32LX340H
	Size	55" class (54.64" diagonal)	49" class (48.5" diagonal)	43" class (42.5" diagonal)	40" class (39.5" diagonal)	32" class (31.6" diagonal)
	Backlight Type	Edge Lit LED				Direct LED
	Resolution	1920 x 1080 (FHD)				
	Dynamic Contrast Ratio	1,000,000:1				
	Contrast Ratio	1200:1				
	Viewing Angle	178°/178°			176°/176°	
	Response Time	9ms (G to G)				
	Frame Rate	60Hz				
BROAD-CASTING SYSTEM	Analog	NTSC				
	Digital	ATSC/VSB/Clear QAM				
VIDEO	Triple XD Engine	Yes				
	Dynamic Color Enhancer	Yes				
	Real Cinema	24p (3:3 pull down)				
	Aspect Ratio	6 modes (16:9, Just scan, Set by program, 4:3, Zoom, Cinema zoom 1)				
AUDIO	Audio Output	10W + 10W			5W + 5W	
	Speaker System	2.0 ch				
	Sound Mode	6 modes (Standard, News, Music, Cinema, Sport, Game)				
	Optical Sound Sync	Yes				
	Sound Optimizer	3 modes (Normal, Wall-Mount Type, Stand Type)				
	Clear Voice	Yes				
FEATURES	Self Diagnosis	Yes				
	HDMI-CEC	Yes (without ARC)				
	HTNG-CEC	Yes				
	Installer Menu	Public Display Mode (PDM)				
	Lock mode	Yes				
	IR Out	RS232C				
	RJP Interface	RS232C, HDMI				
	RJP Compatibility	Yes				
	USB	USB 2.0				
	USB Auto Play Back	Yes				
	Moving Picture Playback	Divx HD (SD/HD/Plus HD)				
	Picture	JPEG				
	Audio Codec	MP3, AC3, MPEG, AAC, HEAAC, CDDA, LPCM				
	USB Cloning	Yes				
	Multi IR Code	Yes				
Welcome Screen	Yes (Splash Image)					
Motion eye care	Yes					
Security Screw Hole	Credenza					

FEATURES	MODEL	55LX340H	49LX340H	43LX340H	40LX340H	32LX340H	
	Lock Down Plate	Yes					
	Commercial Grade Stand	Yes					
INTERFACE (SIDE)	HDMI In	1					
	USB (2.0)	1					
INTERFACE (REAR)	HDMI In	1					
	RF In	1					
	AV In	1 (Sharing with Component in)					
	Component in	1 (Y,Pb,Pr) + Audio					
	Digital Audio Out	1 (Optical)					
	RGB In	1 (D-sub 15pin) - PC					
	PC Audio Input	1 (Sharing with Component Audio)					
	RS-232C	1 (D-Sub 9pin)					
	External Speaker Out	1					
	POWER	Voltage, Hz	100 ~ 240V, 50/60Hz				
ENERGY STAR® 7.0		53.6W	45.6W	39.0W	34.0W	27.5W	
Stand-by		<0.5W					
	VESA Compatible	300 x 300 mm			200 x 200 mm		
	CERTIFICATION	Safety: UL, FCC, RoHS, cUL, NOM, Energy Star 7.0					
DIMENSION	Bezel Color)	Black					
	Bezel Width (Left/Right, Top, Bottom)	.59" x .5" x .7"	.59" x .5" x .7"	.59" x 5" x .69"	.61" x .5" x .64"	.64" x .56" x .69"	
	WxHxD (with stand)	48.9"x30.7"x 12.8"	43.5"x27.6"x 12.8"	38.3"x24.6"x 12.8"	35.9"x22.7"x 11.1"	28.9"x19.2"x 11.1"	
	Weight	46.5lbs	39.2lbs	30.0lbs	22.9lbs	18.1lbs	
	WxHxD (w/o stand)	48.9"x28.5"x 2.2"	43.5"x25.5"x 2.2"	38.3"x22.6"x 2.2"	35.9"x20.8"x 2.2"	28.9"x17.2"x 2.2"	
	Weight	39.0lbs	31.7lbs	22.5lbs	16.5lbs	11.6lbs	
	WxHxD (Packing)	52.4"x32.0"x 6.0"	47.1"x29.9"x 6.4"	41.3"x25.8"x 5.6"	42.1"x24.0"x 6.4"	32.0"x20.1"x 6.9"	
	Weight	55.3lbs	46.3lbs	35.1lbs	27.1lbs	20.9lbs	
	ACCESSORIES	Cable	Power Cord (5'.08", 90 degree angle connector)				
		Manual / ESG	Simple Manual				
OTHER	Warranty	2-Year Limited Warranty Parts/Labor/Backlight/Extended warranty options are also available					
	UPC	7 19192 917972	7 19192 91796 5	7 19192 91795 8	7 19192 91799 6	7 19192 91794 1	



The estimated annual energy cost determined in accordance with 16 CFR Part 305.5 for model 55LX340H, 49LX340H, 43LX340H, 40LX340H and 32LX340H are \$17, \$16, \$13, \$8 and \$6 accordingly.  
 \*Your energy cost depends on your utility rates and use. The estimated cost is based on 11 cents per kWh and 5 hours of use per day. For more information, visit [www.ftc.gov/energy/](http://www.ftc.gov/energy/)

<sup>1</sup>FTC Television labeling rule (18 CFR Part 305, as added by 76 Fed. Reg. 1038 (Jan 6, 2011)).



LG Electronics U.S.A., Inc.  
 HE B2B Division  
 2000 Millbrook Drive  
 Lincolnshire, IL 60069  
 Customer Service: 888.865.3026  
[www.LGSolutions.com/support](http://www.LGSolutions.com/support)  
 Contact your LG Regional Sales Representative:  
 Channel: 800.897.8871  
 Hospitality: 800.228.1236  
 E-mail: [info@LGSolutions.com](mailto:info@LGSolutions.com)  
 SPEC\_LX340H Series\_061508\_1

All screen images are simulated. Dimensions and weights are approximate. Design, features and specifications subject to change without notice.

© Copyright 2015 LG Electronics USA, Inc. All Rights Reserved. "LG Life's Good" is a registered trademark of LG Corp. XD Engine is a registered trademark of LG Electronics, Inc. HealthView and EcoSmart are trademarks of LG Corp. ENERGY STAR is a registered trademark of the U.S. Environmental Protection Agency. Dolby and the double-D symbol are registered trademarks of Dolby Laboratories. SRS and the SRS symbol, TruSurround XT and WOW are trademarks or registered trademarks of SRS Labs, Inc. VESA is a trademark of Video Electronics Standards Association. All other product and brand names are trademarks or registered trademarks of their respective companies.

Printed in the USA July 2015